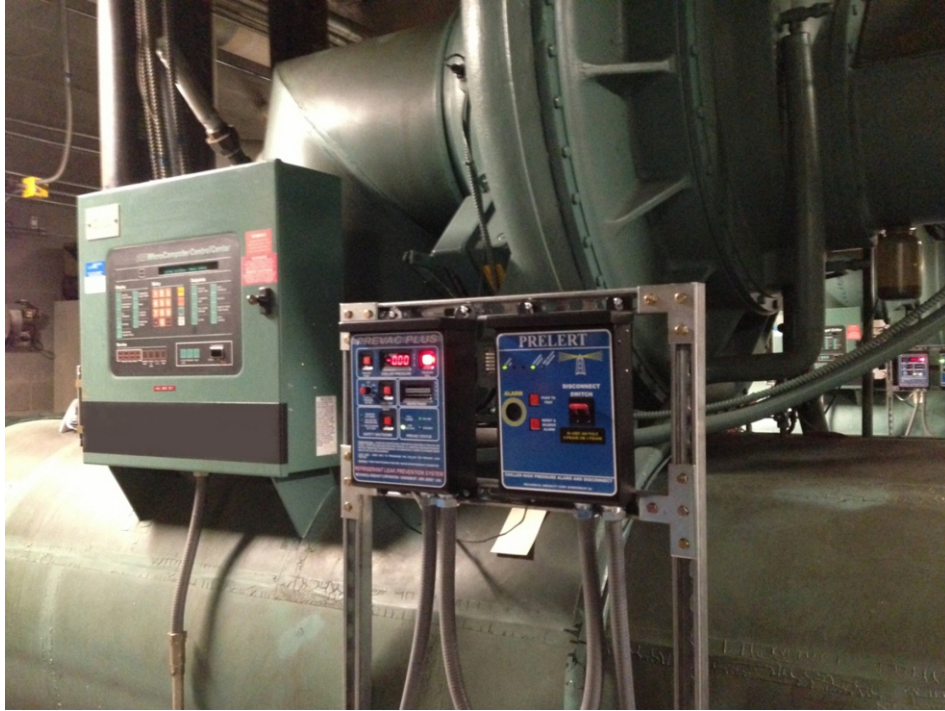


PREVAC

Essential Component for R-1233zd(E) & R-123 Low Pressure Chillers

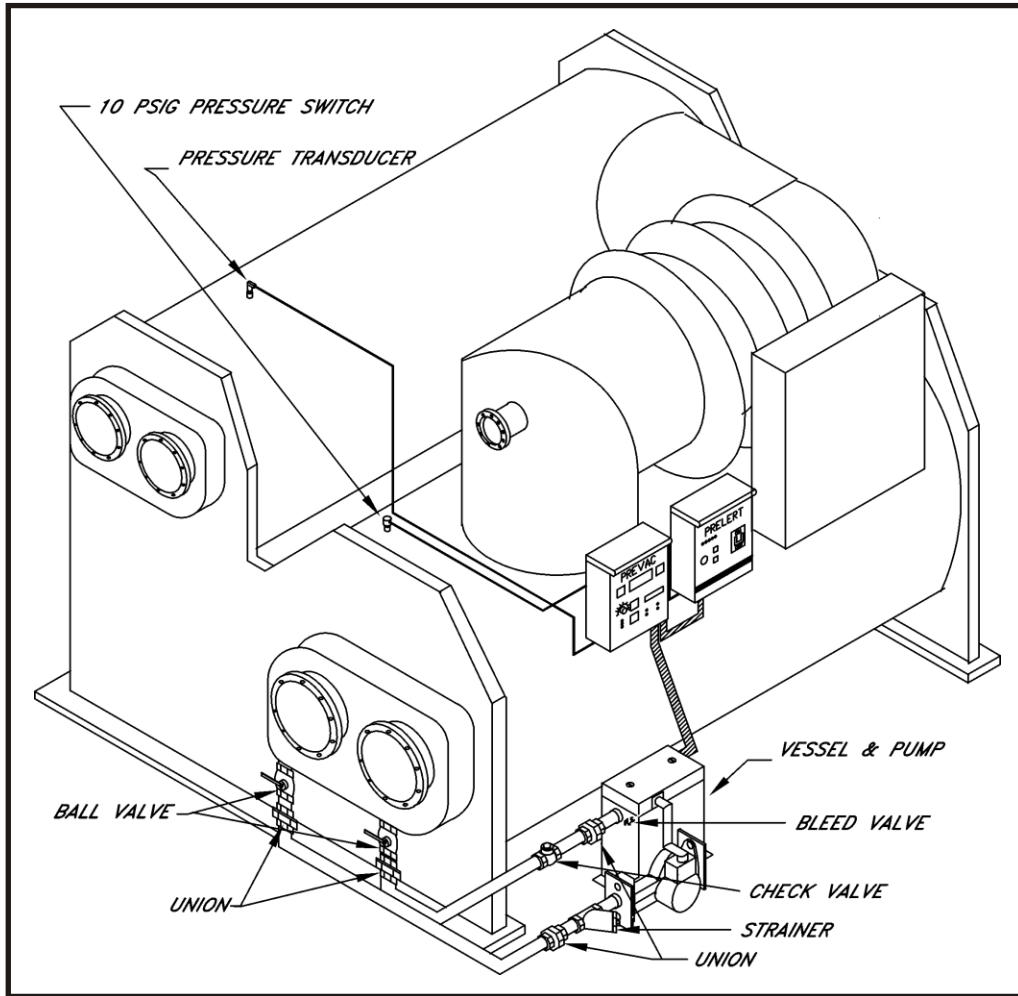


The PREVAC system:

- Prevents air and moisture infiltration in idle chillers
- Prevents surging on start-ups
- Enables safe and efficient chiller servicing
- Prevents acid damage
- Eliminates electrical code violations during servicing
- Prevents refrigerant release
- Eliminates temporary high voltage connections
- Eliminates temporary water hose connections around high voltage
- Provides 1/100 of a PSI control for minor repairs
- Provides a high refrigerant alarm
- Extends the life of purge
- Complies with Ashrae 147



Mechanical Ingenuity
CORPORATION



The PREVAC system includes the following:

- * High Pressure Alarm & 30 amp Disconnect
- * Refrigerant Pressure Controller
- * Stainless Steel Vessel
- * 350 psi Water Pressure Rating Standard
- * 500 psi Water Pressure Rating Optional
- * 30 gpm Water Cooled Pump
- * Stainless Steel Pressure Transducer
- * 10 psi Pressure Switch
- * 200,000 ARI Fuse & Fuse Block

Specifications:

- 480 volt, 20 kW Three Phase
- 480 volt, 12 kW Single Phase
- 240 volt, 12 kW Three Phase
- 415 volt, 18 kW Three Phase
- 380 volt, 15 kW Three Phase
- Pressure Readout psig or kpag
- Water Temperature Control
- Water Temperature Safety Shut Down
- Refrigerant Pressure Safety Shutdown
- Refrigerant High Pressure Alarm
- Refrigerant Pressure control (1/100 psi)