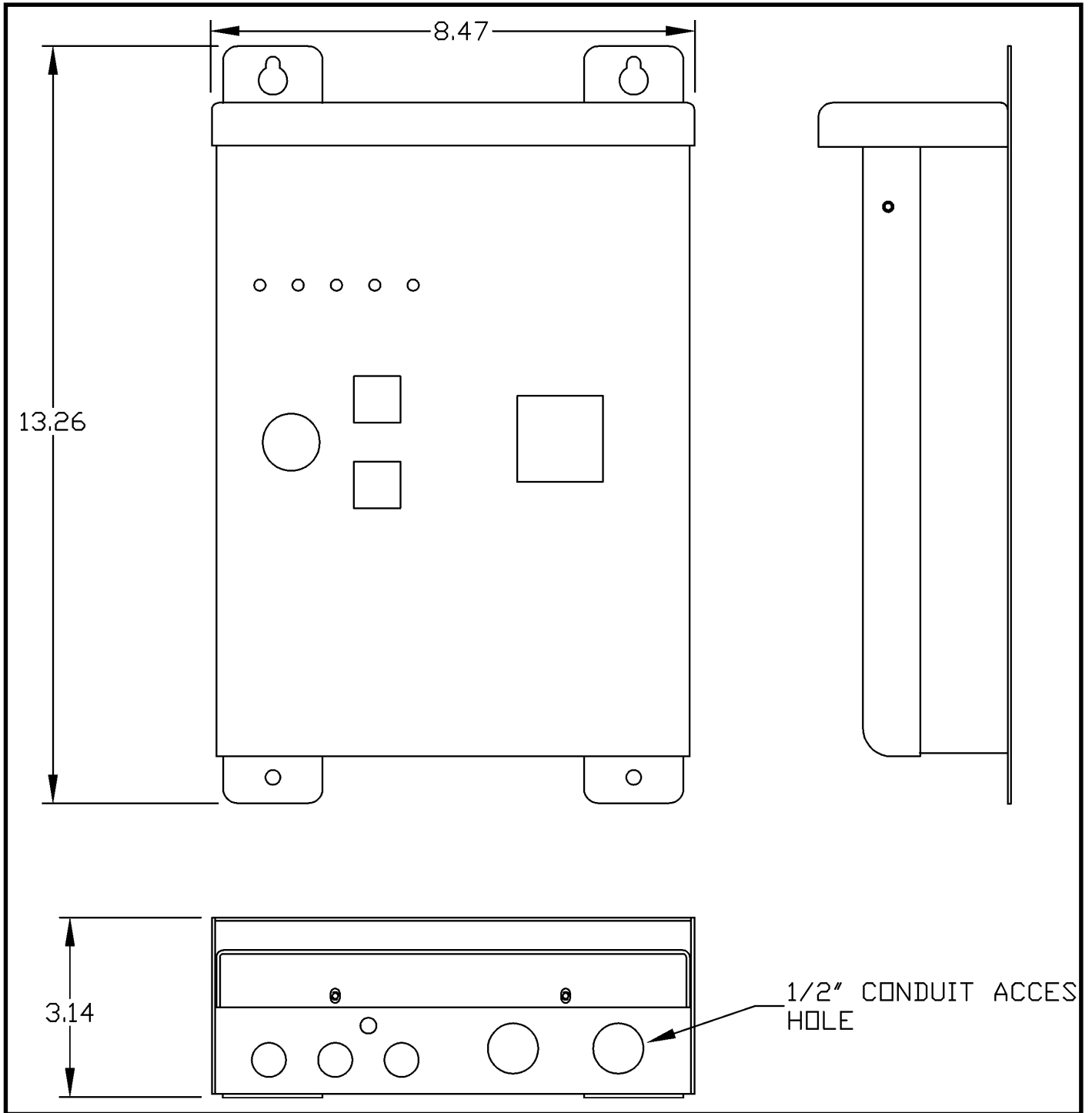


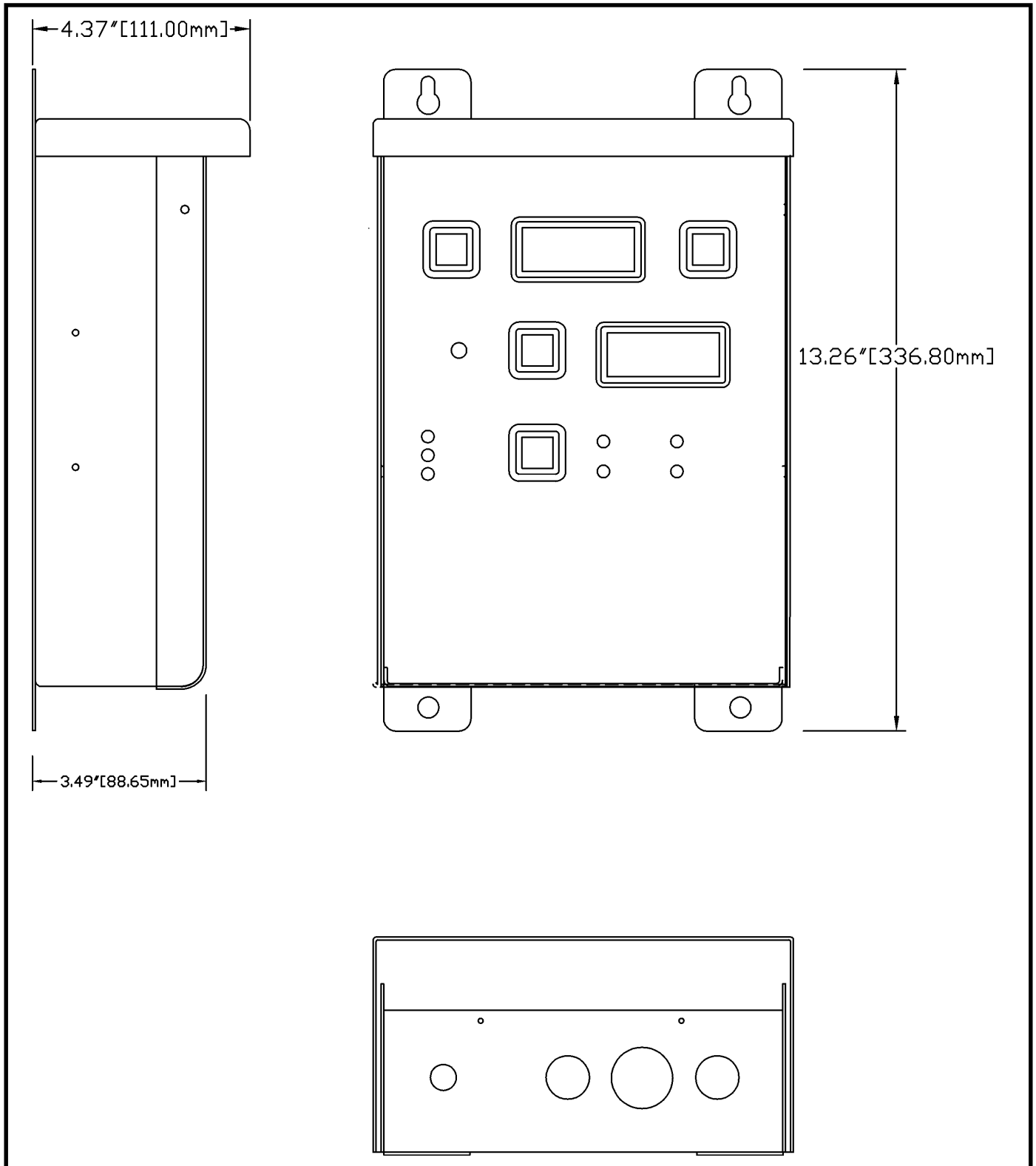
**Prekert Disconnect**



**PERLERT DISCONNECT SPECIFICATIONS**

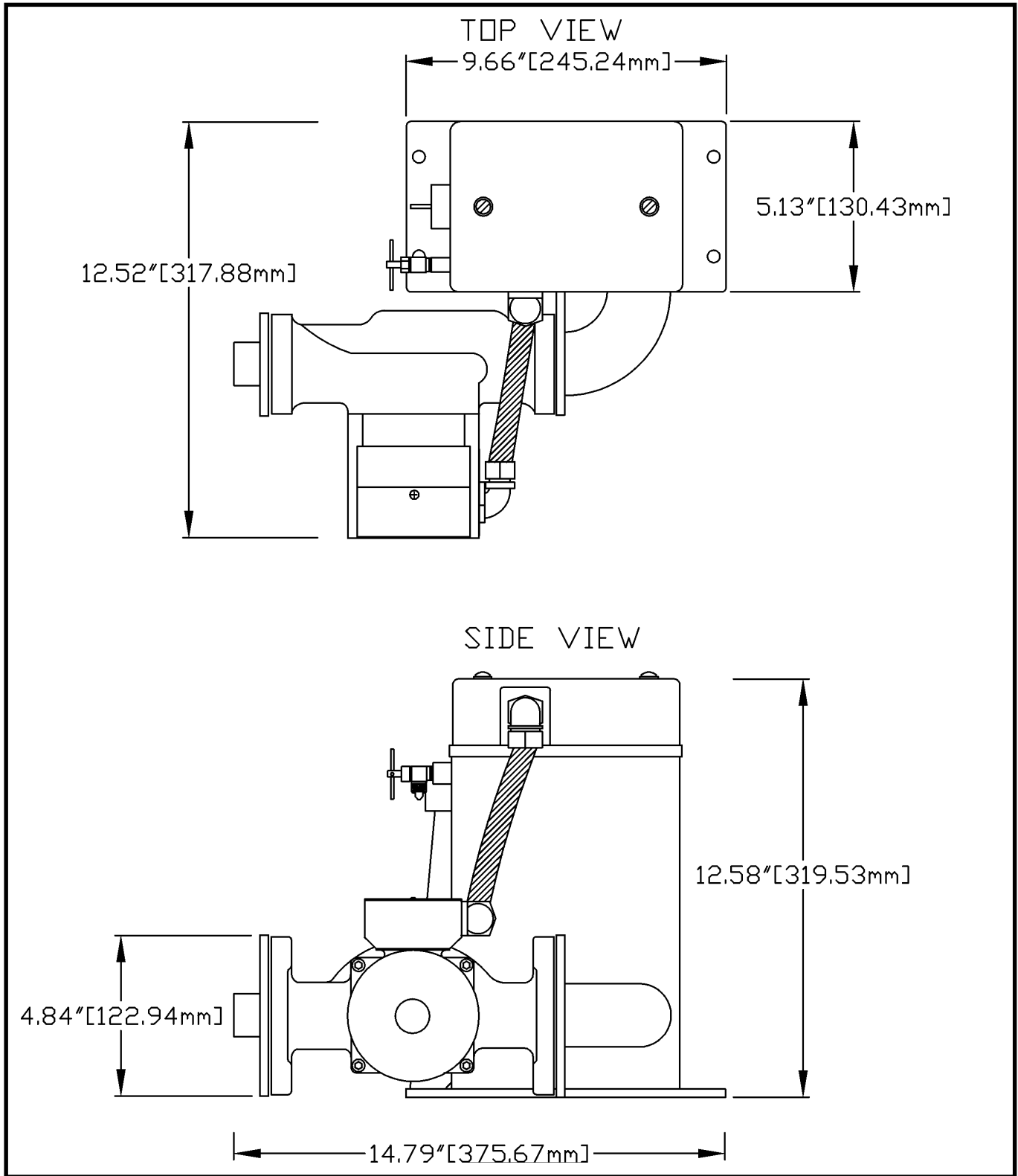
Voltage	480, 415, 380, 220, (50-60 Hz)
Current	30 amps
Surge Voltage	2500 volts
Surge Current	6000 amps @ 8 x 20 us duration
Control Voltage	6 volts DC
Pressure Switch	10 psig, 69 kpag
Refrigerants	R-11 and R-123
Outside Dimension	8.47"(215mm) x 13.25" (336mm) x 3.14" (79.76mm)
Mounting Hole Size	5/16" .312 ", (.78cm)

**REFRIGERANT PRESSURE CONTROLLER (RPC) SPECIFICATIONS**



Voltage	480, 415, 380, 220 (50-60 Hz)
Current	25 max amps
Pressure Accuracy at Zero psig	+/- .01 psi (+/- .07 kpa)

Outside Dimension	8.44"(2144.38cm) x 13.26"(336.8mm) x 3.49"(88.6mm)
-------------------	--



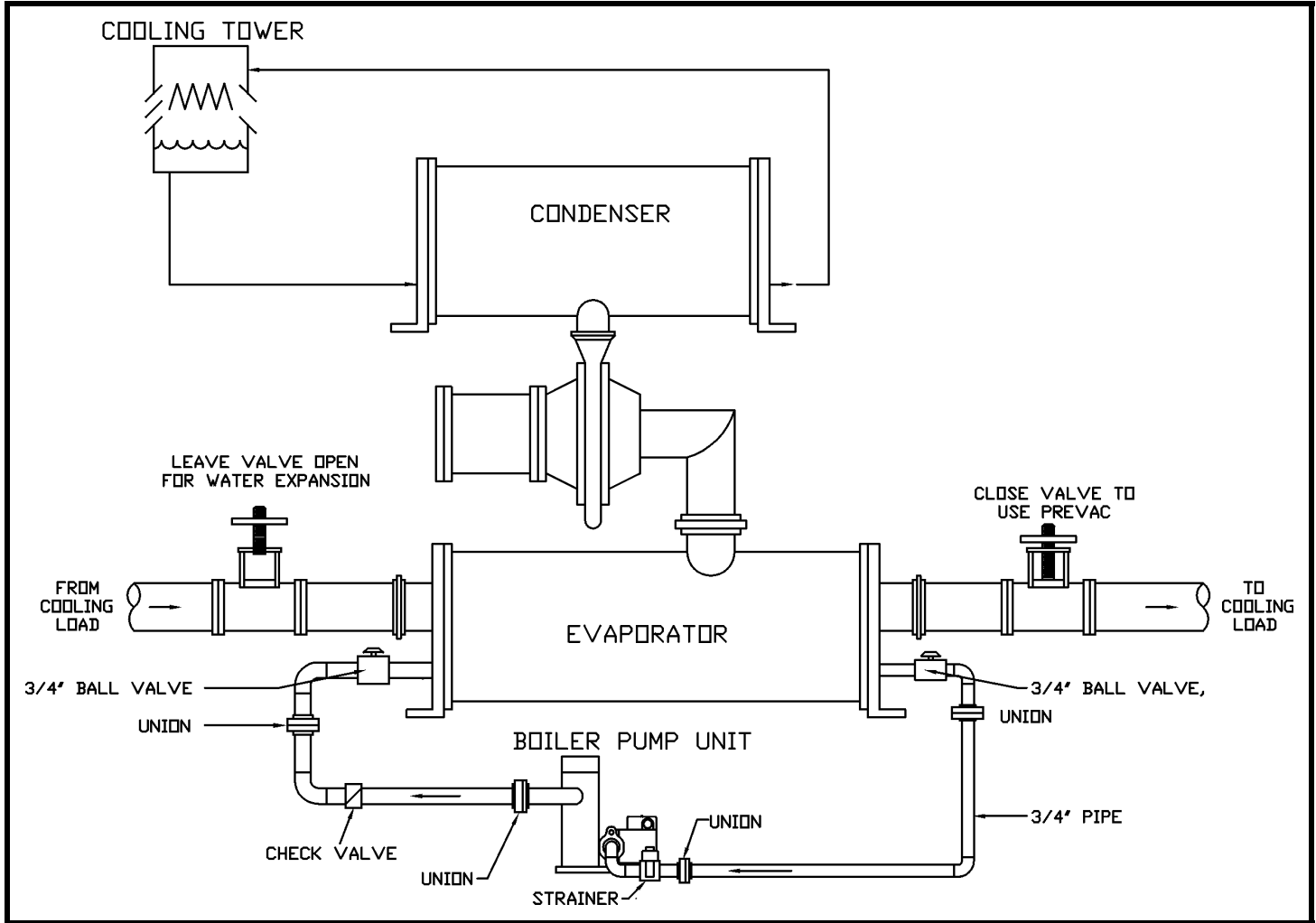
**PREVAC HOT WATER VESSEL SPECIFICATIONS**

Voltage	480, 415, 380, 220 (50-60 Hz)
Motor (Motor voltage reduce in Controller)	1/6 HP, 240 volts, .7 to 1 amp

Six Heating Elements Total kW	20, 18, 15, 12
Water Pressure Rating	350 psi (2400 kpa)
Dimensions	12.6" (318mm) x 14.8" (375.7mm) x 12.6" (319.5mm)

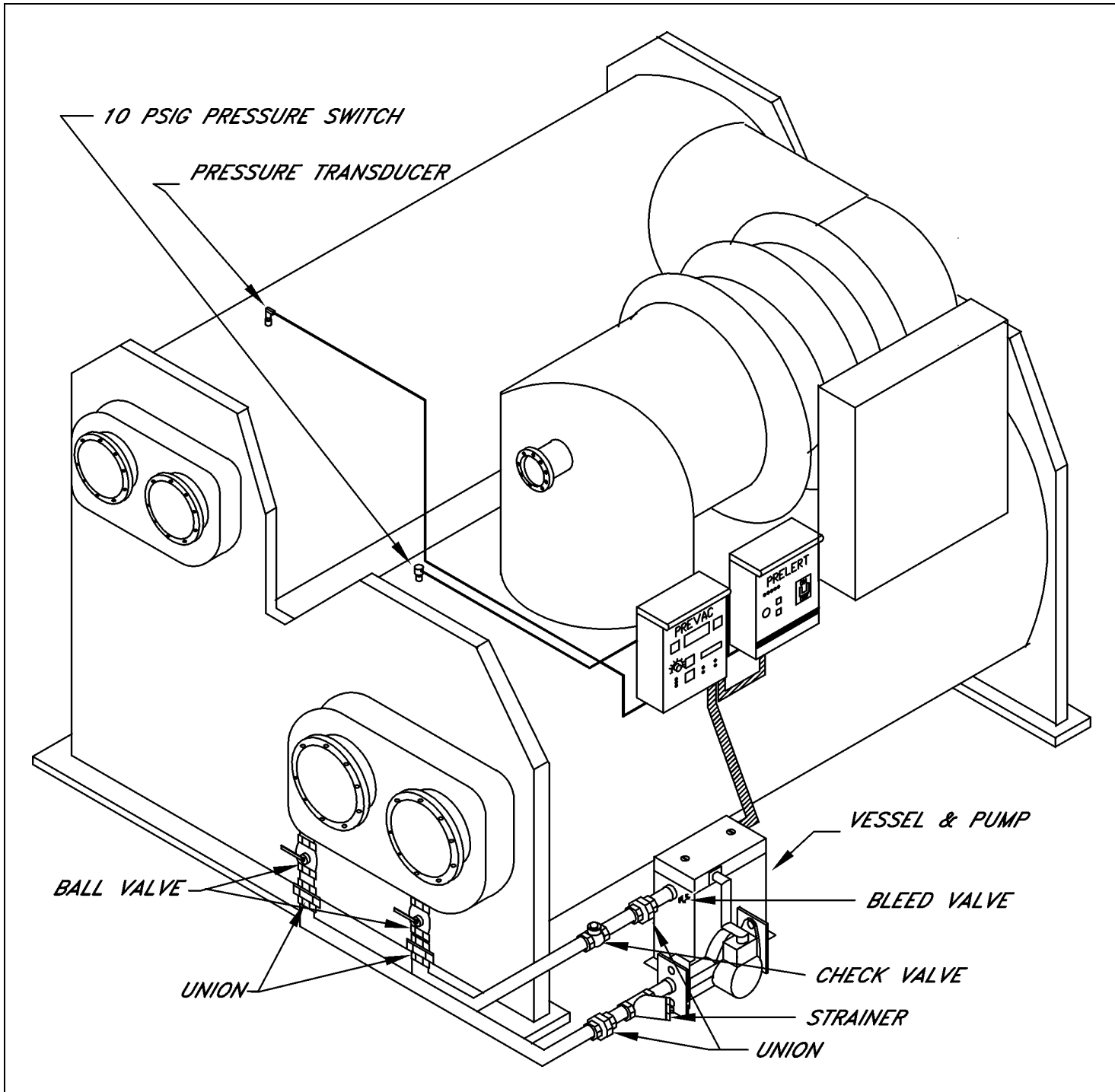
## PIPING EXAMPLES

### SINGLE PASS PIPING



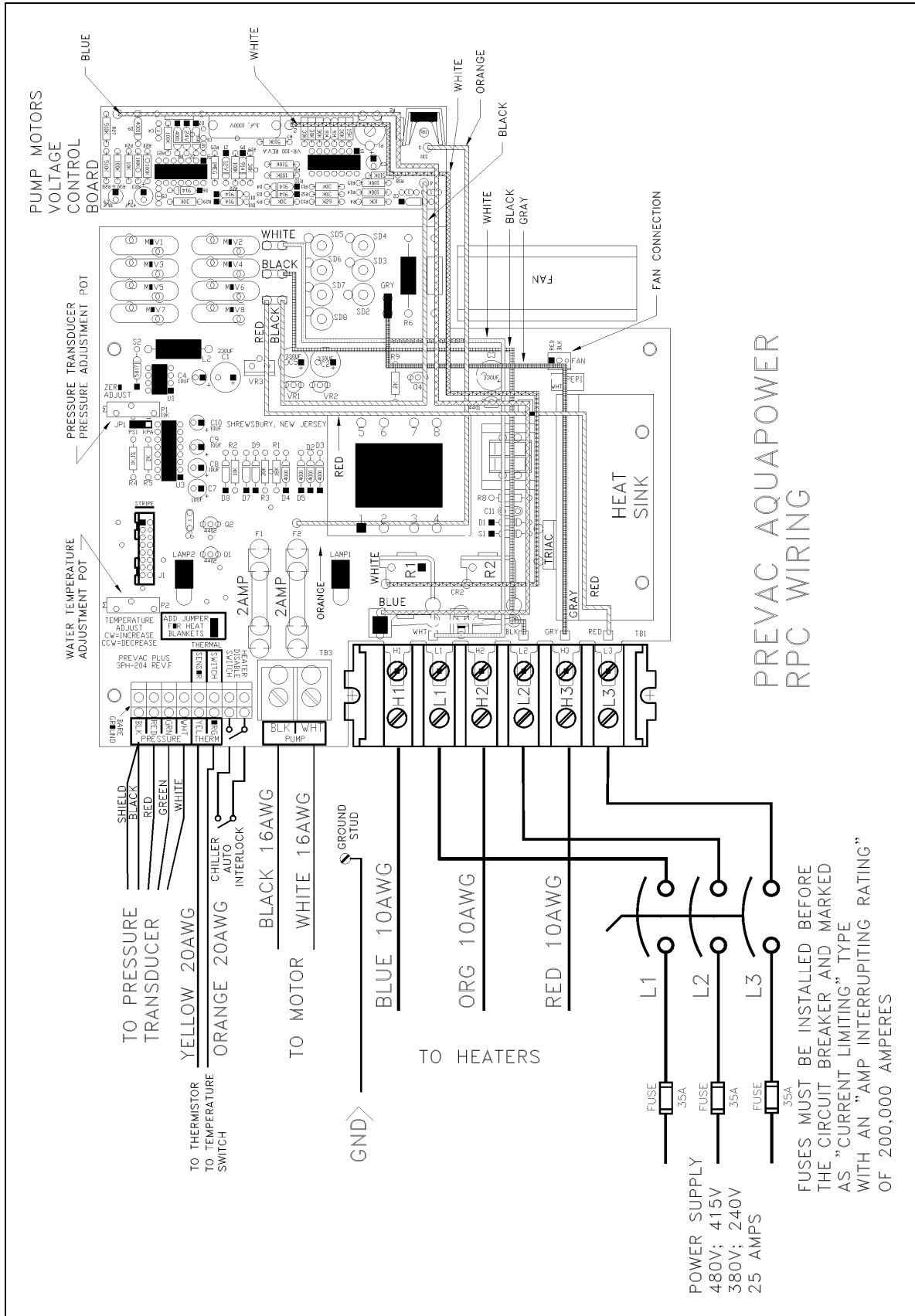
Note: If one valve is not left open for water expansion or if water pressure rises as water is heated in the chiller piping install a water pressure relief valve.

**TWO PASS PIPING**

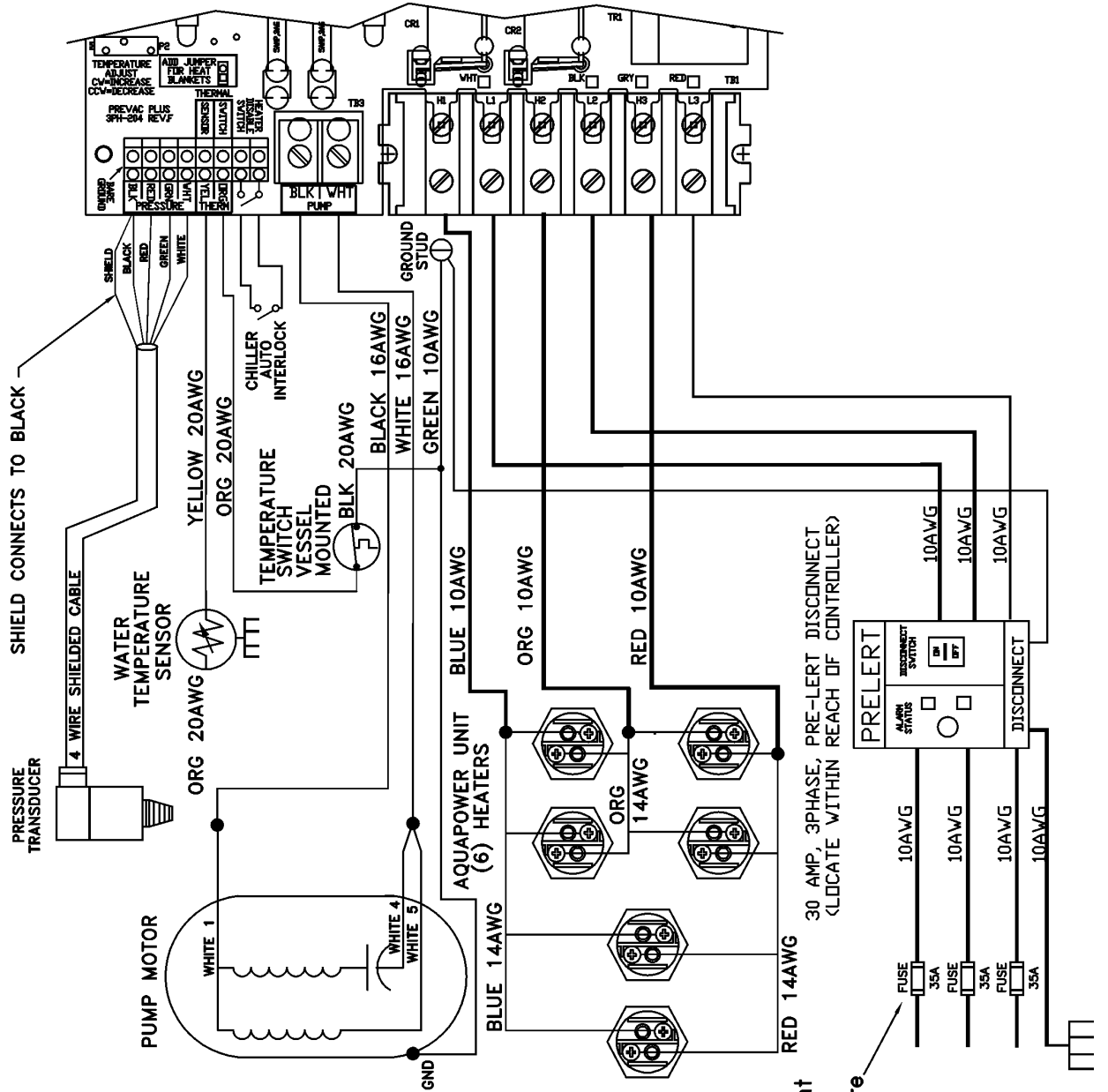


Note: If one valve is not left open for water expansion or if water pressure rises as water is heated in the chiller piping install a water pressure relief valve.

**WIRING SECTION**



# AQUAPOWER THREE PHASE DIAGRAM



Note: The 35 amp fuses must be marked as current limiting type with an AIR rating of 200,000 ampere