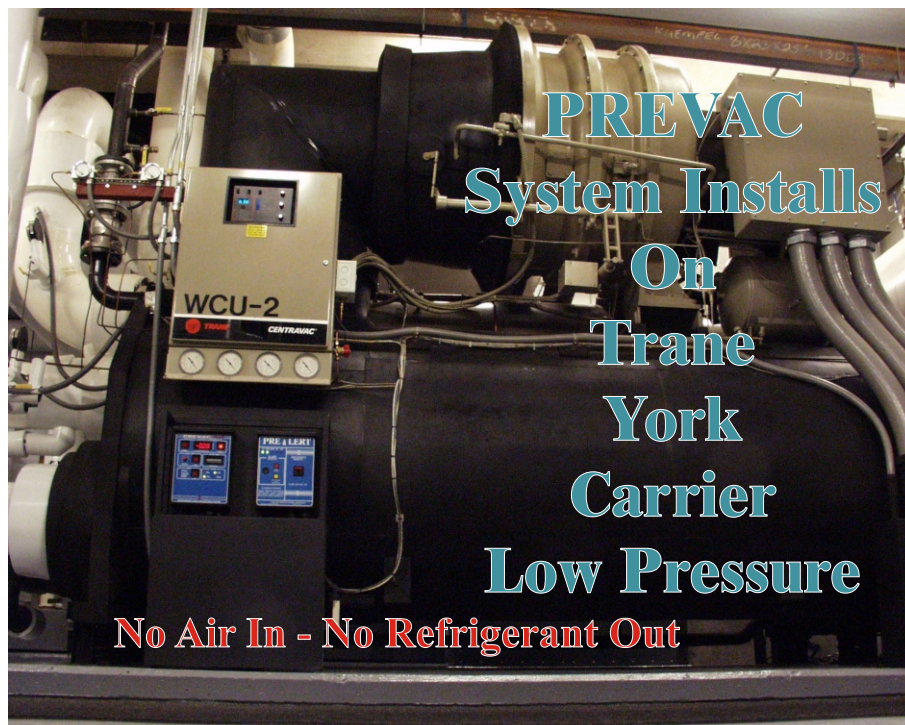


Innovators

PREVAC[®]

R-123 & R-11 Low Pressure Chillers Enhancement Product

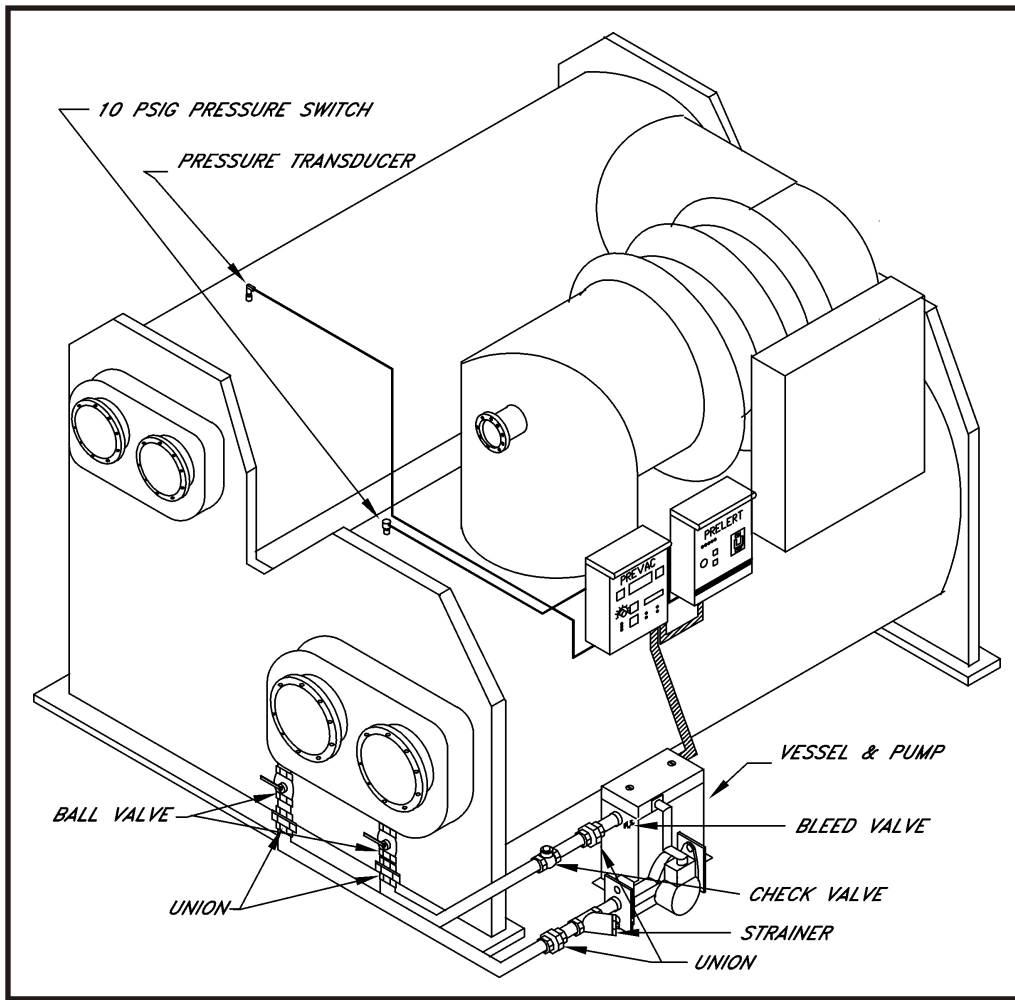


The PREVAC system enhances your chiller operation by:

- Preventing Air & Moisture Infiltration In Idle Chillers
- Preventing Surging on Start-ups
- Enabling Safe & Efficient Chiller Servicing
- Preventing Acid Damage
- Eliminating Electrical Code Violations During Servicing
- Preventing Refrigerant Release
- Eliminating Temporary High Voltage Connections
- Eliminating Temporary Water Hose Connections around High Voltage
- Providing 1/100 of a PSI Control For Minor Repairs
- Compling with Ashrae 147
- Providing a High Refrigerant Alarm

If your chiller is ever in stand-by, the PREVAC system is what you need for trouble free operation.

The PREVAC system has been installed on low pressure chillers world wide since 1987. Prevents air and moisture from entering the chiller when it is idle. And leak test pressurization can occur at the touch of a button.



PREVAC enables your low pressure chiller to be serviced safely and efficiently. PREVAC converts your chiller into a containment vessel. The R-123 and R-11 chillers have a benefit of being the only type of chiller that can be kept at atmospheric pressure when idle.

The PREVAC system includes the following:

- * High Pressure Alarm & 30 amp Disconnect
- * Refrigerant Pressure Controller
- * Stainless Steel Vessel
- * 350 psi Water Pressure Rating Standard
- * 500 psi Water Pressure Rating Optional
- * 30 gpm Water Cooled Pump
- * Stainless Steel Pressure Transducer
- * 10 psi Pressure Switch
- * 200,000 ARI Fuse & Fuse Block
- * ETL/CSA Approval

Specifications:

- 480 volt, 20 kW Three Phase
- 480 volt, 12 kW Single Phase
- 240 volt, 12 kW Three Phase
- 415 volt, 18 kW Three Phase
- 380 volt, 15 kW Three Phase
- Pressure Readout in psig Standard, kpag optional
- Water Temperature Control
- Water Temperature Safety Shut Down
- Refrigerant Pressure Safety Shutdown
- Refrigerant High Pressure Alarm
- Refrigerant Pressure control (1/100 psi)