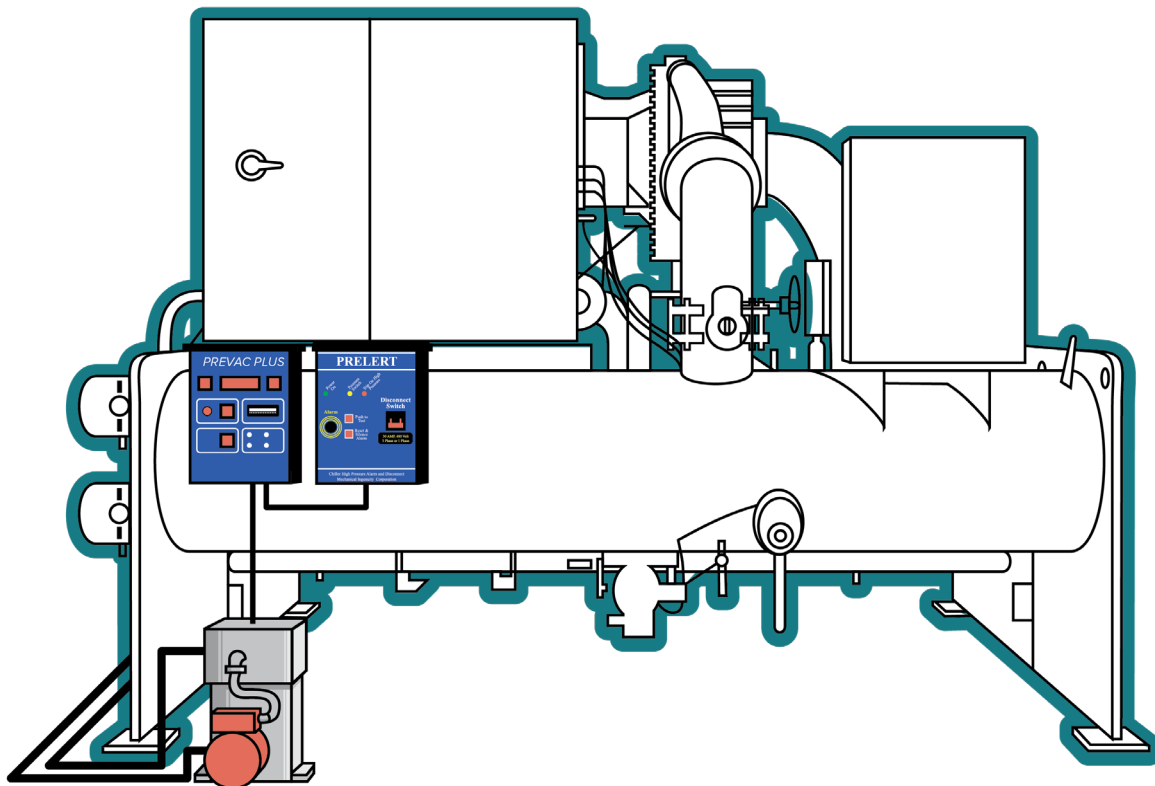


PREVAC



Improved Performance and Servicing for Low Pressure Chillers

R-1233zd(E), R-514A, R-123, R-11



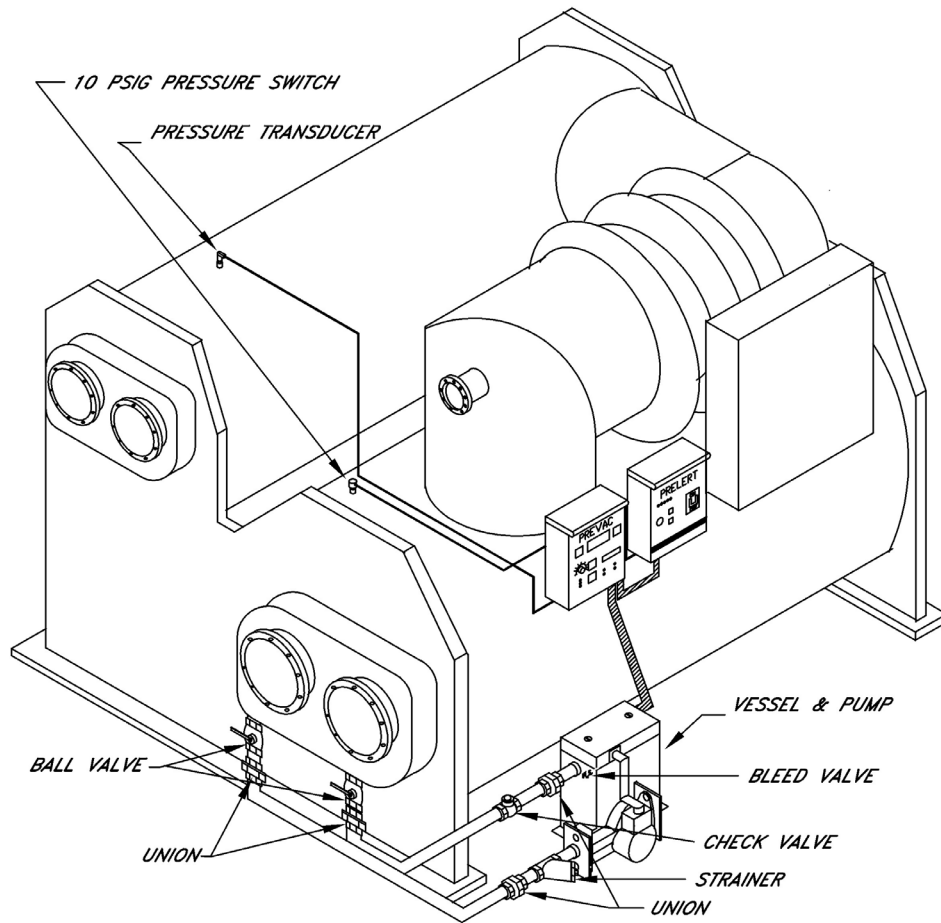
Preventive Maintenance & Cost Avoidance

- Pressure seal idle chillers at 0.00 psig, preventing air and moisture from entering the system
- Prevent chiller downtime
- Prevent refrigerant contamination and acid damage
- Eliminate hard startups and surging and improve reliability
- Extend life of purge by lowering number of cycles

Faster & Safer Servicing

- Perform minor repairs at 0.00 psig to prevent refrigerant losses, without the need for portable pressurization units
- Minimize downtime and improve response time for leak repairs
- Enable service personnel to easily conform to EPA, ASHRAE, NEC and local building codes when leak testing
- Eliminates temporary high voltage and water connections





The PREVAC system includes the following:

- High Pressure Alarm & 30 amp Disconnect
- Refrigerant Pressure Controller
- Stainless Steel Heating Vessel (6 heaters per)
 - 350 psi Water Pressure Rating Standard (500 psi optional)
- 30 gpm Water Cooled Pump
- Stainless Steel Pressure Transducer
- 10 psi Pressure Switch
- 200,000 ARI Fuse & Fuse Block

System Specifications:

- 480 volt, 20 kW Three Phase
- 480 volt, 12 kW Single Phase
- 240 volt, 12 kW Three Phase
- 415 volt, 18 kW Three Phase
- 380 volt, 15 kW Three Phase

Settings Options

- Pressure Readout psig or kpag
- Water Temperature Control
- Water Temperature Safety Shut Down
- Refrigerant Pressure Safety Shutdown
- Refrigerant High Pressure Alarm
- Refrigerant Pressure control (1/100 psi)